



One Henkel Way
Rocky Hill, CT 06067
Technical Information Help Line 1-800-562-8483
www.equipment.loctite.com

Product Description Sheet Loctite® CL10 Quad LED Controller

Item No. 1514634

PRODUCT DESCRIPTION

The Loctite® CL10 Quad LED Controller is a UV-LED spot light source that emits UV light at 365 or 405 nm. The Quad Controller includes a footswitch and AC power cord. The required LED head is purchased separately. The maximum number of LED heads that can be installed is four (4) units allowing for multiple cure areas. This system is suitable for manual work stations as well as integration into automated production lines. The CL10 Quad LED Controller can be operated in a continuous light output mode or up to a 10-step, programmed output mode where the light output intensity and time can be programmed for each separate LED head. The cycle can be initiated with the start/stop button on the front panel; a footswitch (included); or via a PLC connection with an external start signal. This LED light source causes no thermal damage or harmful effects to objects being illuminated. Its low power consumption makes it an energy-saving and environmentally friendly light source. No light guides or lamp replacements are required.

CL10 Quad LED Controller



LED Head (each purchased separately)



CONTROLLER PRODUCT FEATURES

- Instant on-off capabilities; no warm-up time required as compared to mercury-arc lamp UV Wand systems.
- Can operate up to four (4) LED heads
- Each LED head can be programmed independently to have a 10-step setting for UV intensity and exposure time.
- Provides five programming modes (constant intensity; pulsed; step; optical; manual).
- Each channel is adjustable and can be controlled separately.
- Temperature feedback to eliminate LED heads overheating.

NOT FOR PRODUCT SPECIFICATIONS

Loctite is a TM of Henkel Corporation, U.S.A. © Copyright 2012. Henkel Corporation. All rights reserved
Document: 8903027, Rev D, Date: 02/25/2014



One Henkel Way
Rocky Hill, CT 06067
Technical Information Help Line 1-800-562-8483
www.equipment.loctite.com

Product Description Sheet Loctite® CL10 Quad LED Controller

Item No. 1514634

TECHNICAL DATA

Quad Controller Item No. 1514634

Modes	C.C	Intensity (0% ~ 100%), Time (0.1 ~ 999.9 seconds)
	Manual	Intensity (0%~100%), Time: Manual control.
	Optical	Especially for optical lens adhesive.
	Step	10 steps, each step can define intensity and time independently.
	PWM	Intensity (0~100%) , Time (max 999.9 sec)
Power Supply	100 – 220 VAC; 50/60 Hz. Max. 1.5 amps	
Power Consumption	30 Watts	
Cooling Method	Natural air cooling	
Temperature Range	Operating:+ 5 ~+ 35 Deg. C.; Storage: -15 ~ + 65 Deg. C.	
Weight	2 Kg.	

NOT FOR PRODUCT SPECIFICATIONS

Loctite is a TM of Henkel Corporation, U.S.A. © Copyright 2012. Henkel Corporation. All rights reserved
Document: 8903027, Rev D, Date: 02/25/2014



One Henkel Way
 Rocky Hill, CT 06067
 Technical Information Help Line 1-800-562-8483
 www.equipment.loctite.com

Product Description Sheet Loctite® CL10 Quad LED Controller

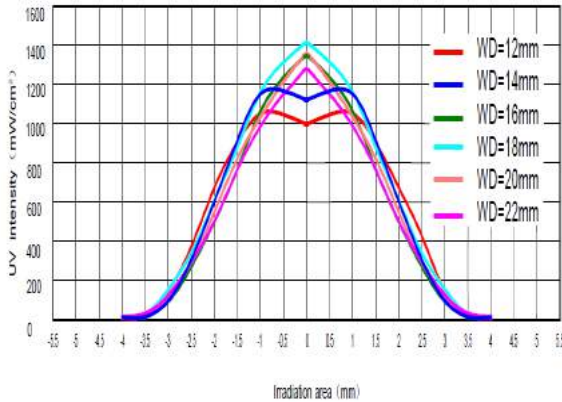
Item No. 1514634

365nm LED Head

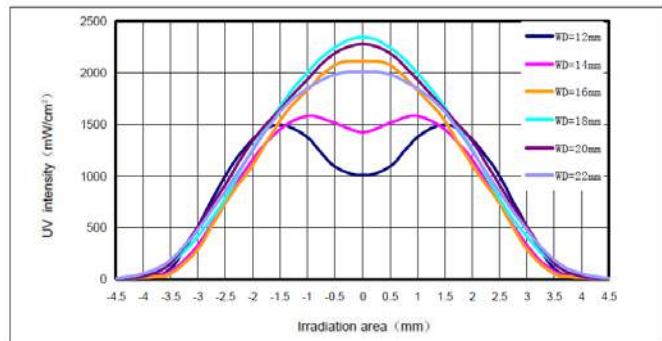
Spot Diameter (mm)	6 mm		
Recommend Working Distance (mm)	14~16		
Intensity (mW/cm ²)	1300		
Wavelength	365 nm		
Material	Aluminum , copper, optical glass		
Life cycle	20,000~30,000 hours		

Spot Diameter (mm)	405nm, LED Head 6 mm
Recommend Working Distance (mm)	8~10
Intensity (mW/cm ²)	2000
Wavelength	405 nm
Material	Aluminum , copper, optical glass
Life cycle	20,000~30,000 hours

365 LED Head 6mm UV Intensity Profile



405 LED Head 6mm UV Intensity Profile





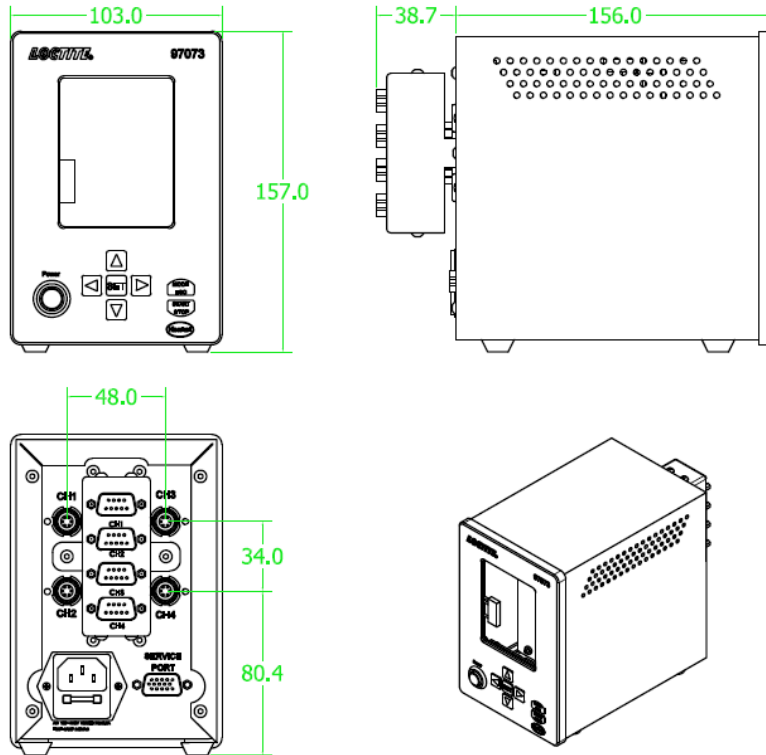
One Henkel Way
Rocky Hill, CT 06067
Technical Information Help Line 1-800-562-8483
www.equipment.loctite.com

Product Description Sheet Loctite® CL10 Quad LED Controller

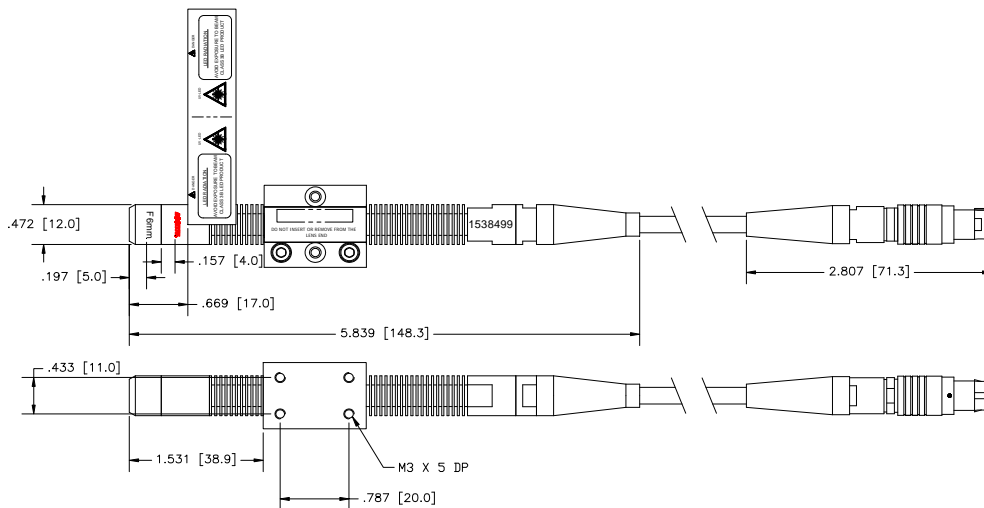
Item No. 1514634

Dimensions

Quad controller



LED Head



NOT FOR PRODUCT SPECIFICATIONS

Loctite is a TM of Henkel Corporation, U.S.A. © Copyright 2012. Henkel Corporation. All rights reserved
Document: 8903027, Rev D, Date: 02/25/2014



One Henkel Way
Rocky Hill, CT 06067
Technical Information Help Line 1-800-562-8483
www.equipment.loctite.com

Product Description Sheet Loctite® CL10 Quad LED Controller

Item No. 1514634

Items Available:

Item		Loctite Item No.
Quad LED Controller (with 1 Foot switch)	CL10 Quad LED Controller	1514634
LED Head (with Lens)	CL10 365nm 6mm LED Head, 2.7M Cable	1538499
	CL10 405nm 6mm LED Head, 2.7M Cable	1746633
Recommend Spares		
Spare Lens	CL10 365nm 6mm LED Lens	1538496
	CL10 405nm 6mm LED Lens	1750074
Spare Foot Switch	Loctite® Foot Switch Assembly	97201
Optional Accessories		
	UV V Light Radiometer Dosimeter Assembly	1265282
	UV A/B Light Radiometer Dosimeter Assembly	1390323
	Tip Locator for CL10 LED Spot Cure Heads	1403402

NOT FOR PRODUCT SPECIFICATIONS

Loctite is a TM of Henkel Corporation, U.S.A. © Copyright 2012. Henkel Corporation. All rights reserved
Document: 8903027, Rev D, Date: 02/25/2014